

Spare parts AT 400/500

USA-CAN

Thermobile Industries BV +31(0)76 587 34 50

Fax +31 (0)76 587 27 89 info@thermobile.nl www.thermobile.com

Thermobile UK Ltd +44 (0) 2476 35 79 60

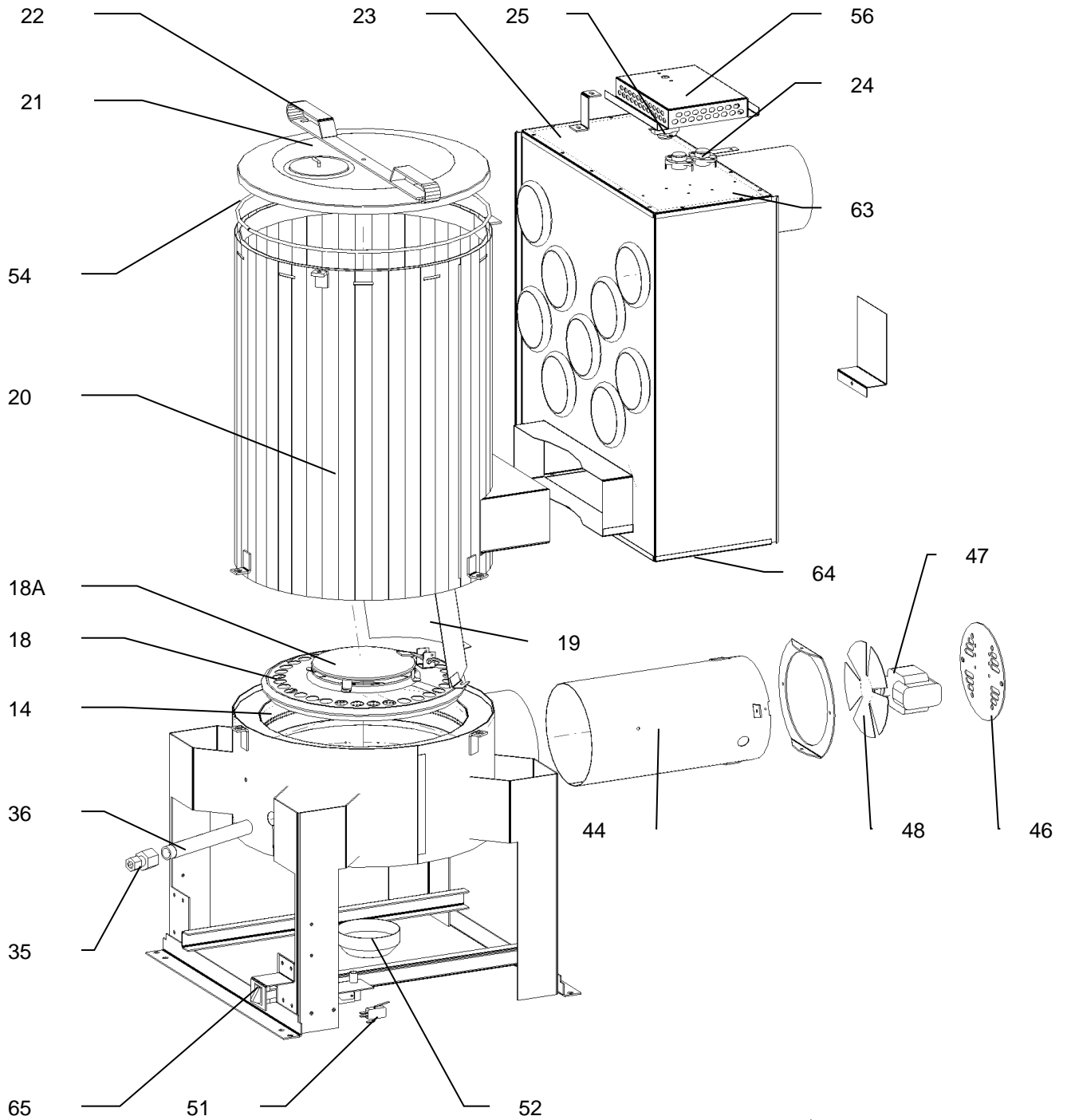
Fax +44(0) 2476 35 79 69 info@thermobile.co.uk www.thermobile.co.uk

Thermobile France S.a.r.l. +33(0)2 38 76 59 25

Fax +33(0)2 38 76 58 93 info@thermobile.fr www.thermobile.fr

THERMOBILE®

AT-400/500 USA/CAN



THERMOBILE®

	AT 400	AT 500	Specification English
1	41.925.012_6365	41.910.250_6365/05	SIDE PANEL RIGHT
2	41.925.011_6365	41.910.251_6365	SIDE PANEL LEFT
3	41.925.016_6365/02	41.910.295_6365/03	BACK PANEL
4	41.925.014	41.925.014	COOLING PLATE
5	41.910.123_6365	41.910.123_6365	SLIDE PANEL
5a	40.700.037	40.700.037	GRIP
6	41.910.073_8957/04	41.910.073_8957/04	BOTTOM PANEL
7	41.910.261_8957/03	41.910.261_8957/03	TOP LID
7a	40.700.037	40.700.037	GRIP
8	41.910.264/01	41.910.264/01	FRAME
8a	41.900.937	41.900.937	HINGE
9	41.925.018_6365/02	41.925.018_6365/02	FRONT PANEL RIGHT
10	41.925.019_6365/01	41.925.019_6365/01	BACK PANEL RIGHT
11	41.925.023_8957/02	41.911.043_8957	TOP LID OF CONTROL PANEL
12	41.910.033_8957/02	41.910.033_8957/02	FUEL TANK
12a	46.100.308	46.100.308	GRIP
12b	41.900.936	41.900.936	DRAIN PLUG
12c	41.900.955	41.900.955	KEY DRAIN PLUG
13	41.925.013_8957	41.911.009_8957	BLOWING GRILLE PANEL
14	41.920.113/03	41.910.337	VAPORIZING SECTION
15	41.910.028/01	41.910.028/01	SLIDER
16	41.910.056/01	41.910.056/01	BOTTOM
17	41.910.145	41.910.145	COMBUSTION DISH
18	41.900.974/01	41.911.018/01	UPPER RING
18a	41.900.975		HEAT SHIELD
19	41.910.099/01	41.910.099/01	BAFFLE PLATE
20	41.920.010/03	41.910.020/06	COMBUSTION CHAMBER
21	41.910.096	41.910.096	COVER COMBUSTION
21a	41.910.268/01	41.910.268/01	EXPLOSION COVER
22	41.900.736_8957	41.900.736_8957	SEALING COVER
23	41.920.123/01	41.911.042/01	HEAT EXCHANGER
24	40.000.167	40.000.167	THERMOSTAT (2x)
25	41.000.206	41.000.206	LIMIT THERMOSTAT
26	41.910.111_8957	41.910.111_8957	LEVER
27	41.910.108_8957	41.910.108_8957	LOCKING DEVICE
28	41.920.068	41.900.591	FUEL PUMP
29	41.900.560/01	41.900.560/01	PUMP SUPPORT
30	41.900.609	41.900.609	FUEL FILTER
31	41.900.592	41.900.592	DRIVE SHAFT
31a	40.502.000	40.502.000	SPLIT
32	41.900.870/01	41.900.870/01	FUEL TANK FILTER
33	41.910.188	41.910.188	3 WAY T-CONNECTER
34	41.910.339/02	41.910.339/02	SUPPLY LINE
35	41.910.187	41.910.187	CONNECTER
36	41.910.335	41.910.335	DRIP FEED PIPE
37	41.910.159	41.910.159	RETURN PIPE
38	41.900.657	41.925.062	PUMP MOTOR
39	40.507.023	40.507.023	SWITCH
40	41.900.606	41.900.606	SHOVEL

THERMOBILE®

	AT 400	AT 500	Specification English
41	41.925.050_6365	41.925.050_6365	CONTROL PANEL
43	41.925.063	41.925.063	CAPACITOR
44	41.910.286_8957	41.910.286_8957	FAN HOUSING
44a	41.925.052_8957	41.925.052_8957	RING
46	41.925.059	41.925.059	PROTECTION GRILLE
47	41.925.060	41.925.060	MOTOR
48	41.910.331	41.910.331	COMBUSTION FAN
49	41.925.061	41.925.061	HEAT DISTRIBUTOR FAN
49A	41.925.066	41.925.066	PROTECTION GRILLE
50	41.900.654	41.900.654	PILOT LIGHT YELLOW
50a		46.200.146	PILOT LIGHT RED
51	41.910.004	41.910.004	SWITCH OVERFLOW CUP
52	41.920.170	41.920.170	OVERFLOW CUP
53	41.910.186	41.910.186	COMPRESSION SPRING
54	41.900.805	41.900.805	SEALING CORD SMALL
55	41.910.196	41.910.196	SEALING CORD BIG
56	41.925.036/04	41.925.036/04	THERMOSTAT BRACKET
57	41.904.240	41.910.350	T-PIECE WITH DRAFT REGULATOR
58	40.202.090	40.202.090	CROWN STRIP
59	41.925.025/01	41.925.025/01	COOLING PLATE
60	41.925.051	41.925.051/03	CABLE LOOM
61		41.911.040/01	UPPER CASE HEAT EXCHANGER
62		41.911.038/01	LOWER CASE HEAT EXCHANGER
63	41.920.122/01	41.911.041/03	TOP LID HEAT EXCHANGER
64	41.920.029/03	41.911.033	LOWER LID HEAT EXCHANGER
65	41.910.135	41.910.135	DOOR SWITCH
66	41.910.105_8957	41.910.105_8957	DOOR PEDAL

THERMOBILE®

	AT 400	AT 500	Specification Français
1	41.925.012_6365	41.910.250_6365/05	PANNEAU DROIT
2	41.925.011_6365	41.910.251_6365	PANNEAU GAUCHE
3	41.925.016_6365/02	41.910.295_6365/03	PANNEAU ARRIERE
4	41.925.014	41.925.014	PANNEAU FRONTAL
5	41.910.123_6365	41.910.123_6365	PANNEAU DU TIROIR
5a	40.700.037	40.700.037	POIGNEE DE CAPOT
6	41.910.073_8957/04	41.910.073_8957/04	COUPELLE INFERIEURE
7	41.910.261_8957/03	41.910.261_8957/03	COUVERCLE SUPERIEUR
7a	40.700.037	40.700.037	POIGNEE DE CAPOT
8	41.910.264/01	41.910.264/01	CHASSIS
8a	41.900.937	41.900.937	CHARNIERE
9	41.925.018_6365/02	41.925.018_6365/02	PANNEAU DROIT
10	41.925.019_6365/01	41.925.019_6365/01	PANNEAU GAUCHE
11	41.925.023_8957/02	41.911.043_8957	COUVERCLE SUPER
12	41.910.033_8957/02	41.910.033_8957/02	RESERVOIR
12a	46.100.308	46.100.308	POIGNEE
12b	41.900.936	41.900.936	BOUCHON DE VIDANGE
12c	41.900.955	41.900.955	CLE
13	41.925.013_8957	41.911.009_8957	GRILLE A SOUFFLER
14	41.920.113/03	41.910.337	SECTION D EVAPORATION
15	41.910.028/01	41.910.028/01	PANNEAU COULISSANT
16	41.910.056/01	41.910.056/01	SUPPORT COUPELLE
17	41.910.145	41.910.145	COUPELLE DE COMBUSTION
18	41.900.974/01	41.911.018/01	ANNEAU DU BRULEUR
18a	41.900.975		PLAQUE DE CHALEUR
19	41.910.099/01	41.910.099/01	DEFLECTEUR
20	41.920.010/03	41.910.020/06	CHAMBRE DE COMBUSTION
21	41.910.096	41.910.096	COUVERCLE DE LA CHAMBRE DE COMB.
21a	41.910.268/01	41.910.268/01	
22	41.900.736_8957	41.900.736_8957	POIGNEE DE COUVERCLE
23	41.920.123/01	41.911.042/01	ECHANGEUR DE CHALEUR
24	40.000.167	40.000.167	THERMOSTAT (2x)
25	41.000.206	41.000.206	MAXIMAL THERMOSTAT
26	41.910.111_8957	41.910.111_8957	LEVIER
27	41.910.108_8957	41.910.108_8957	DISPOSITIF DE VERROUILLAGE
28	41.920.068	41.900.591	POMPE
29	41.900.560/01	41.900.560/01	SUPPORT DE POMPE
30	41.900.609	41.900.609	FILTRE FUEL
31	41.900.592	41.900.592	ARBRE D'ENTRAINEMENT
31a	40.502.000	40.502.000	GOUPILLE
32	41.900.870/01	41.900.870/01	FILTRE
33	41.910.188	41.910.188	ACCOUPEMENT
34	41.910.339/02	41.910.339/02	TUBE D ALIMENTATION
35	41.910.187	41.910.187	ACCOUPEMENT
36	41.910.335	41.910.335	TUBE D ALIMENTATION
37	41.910.159	41.910.159	TUBE DE RETOUR
38	41.900.657	41.910.190	MOTEUR DE POMPE
38a	41.900.695	41.900.695	TUBE
39	40.507.023	40.507.023	INTERRUPTEUR
40	41.900.606	41.900.606	PELLE

THERMOBILE®

	AT 400	AT 500	Specification Francais
41	41.925.050_6365	41.925.050_6365	PANNEAU DE COMMANDE
43	41.000.173	41.000.173	CONDENSATEUR
44	41.910.286_8957	41.910.286_8957	LOGEMENT DU VENTILATEUR
44a	41.925.052_8957	41.925.052_8957	RING
46	41.921.060_8957	41.911.060_8957	GRILLE
47	41.925.060	41.925.060	MOTEUR
48	41.910.331	41.910.331	VENTILATEUR
49	41.925.061	41.925.061	MOTEUR VENTILATEUR
49A	41.925.066	41.925.066	GRILLE
50	41.900.598	41.900.598	LAMPE TEMOIN JAUNE
50a		46.200.146	LAMPE TEMOIN ROUGE
51	41.910.004	41.910.004	MICRO INTERRUPTEUR
52	41.920.170	41.920.170	TUBE ALIMENTATION
53	41.910.186	41.910.186	RESSORT DE PRESSION
54	41.900.805	41.900.805	CORDON D ETANCHEITE PETIT
55	41.910.196	41.910.196	CORDON D ETANCHEITE GRANDE
56	41.925.036	41.925.036/04	THERMOSTAT BRIDE
57	41.900.680	41.910.002	TE CHEMINEE DIAM 153
58	40.202.090	40.202.090	BANDE CONNECTION
59	41.925.025/01	41.925.025/01	LAME DE REFROIDISSEMENT
60	41.925.030	41.925.030/03	CABLE ELECTRIQUE
61		41.911.040/01	PARTIE SUPERIEURE ECHANGEUR DE CHALEUR
62		41.911.038/01	PARTIE INFERIEURE ECHANGEUR DE CHALEUR
63	41.920.122	41.911.041/03	TOLE SUPERIEURE ECHANGEUR
64	41.920.029	41.911.033	TOLE INFERIEURE ECHANGEUR
65	41.910.135	41.910.135	INTERRUPTEUR TIROIR
66	41.910.105_8957	41.910.105_8957	PEDALE

THERMOBILE®

